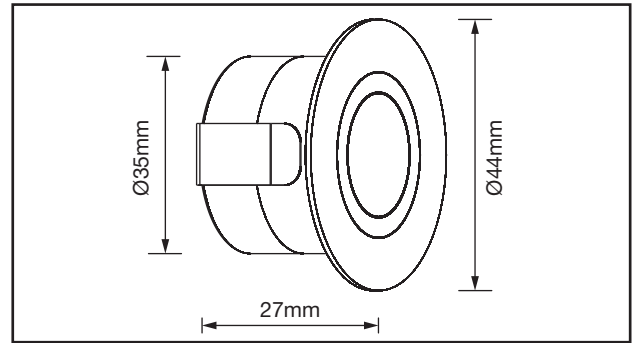
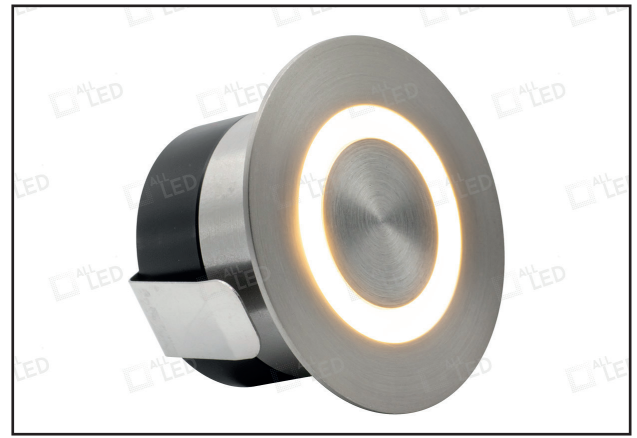


AGLH035SS / **

1W IP65 350mA Slim Design Marine Grade Stainless Steel 316L Marker Light

HALO™



PRODUCT FEATURES

- IP65 Stainless Steel Finish
- Unique Anti-Glare Optics
- Suitable For In Ground Use
- Toughened Flush Optics
- 1 Metre Pre-Wired Cable
- 350mA Constant Current (Series Wiring)
- Dimmable With Dimmable LED Driver

TECHNICAL SPECIFICATIONS

PRODUCT CODE	AGLH035SS/27	AGLH035SS/30	AGLH035SS/40
Useful Luminous Flux (LM)	21lm	24lm	24lm
CCT (Kelvin)	2700K	3000K	4000K
SDCM	<6	<6	<6
CRI	>80	>80	>80
Peak Intensity	5.6cd	6.2cd	6.5cd
Operating Voltage (V)	3V	3V	3V
Max Output Power (W)	1W	1W	1W
Operating Current (A max)	350mA	350mA	350mA
Class	III	III	III
Cut Out	35mm	35mm	35mm
Frame Colour	Stainless Steel	Stainless Steel	Stainless Steel
Switching Cycles	<100,000	<100,000	<100,000
Ingress Protection	IP65	IP65	IP65
Ambient Operating Temperature (°C)	-20°C ~ +50°C	-20°C ~ +50°C	-20°C ~ +50°C
Guarantee	3 years	3 years	3 years
Lifetime (L70 B50)	50,000 Hrs	50,000 Hrs	50,000 Hrs
Dimmable	Yes*	Yes*	Yes*

COASTAL

SERIES WIRING
350mA

VERY WARM WHITE
2700K

WARM WHITE
3000K

COOL WHITE
4000K

DESIGNED IN
BRITAIN

IP65

50,000H

SMD LED

CLASS 3

1M
PREWIRED
CABLE

≤24lm

1W

DIMMABLE
WITH DRIVER

3
YEAR
GUARANTEE

G